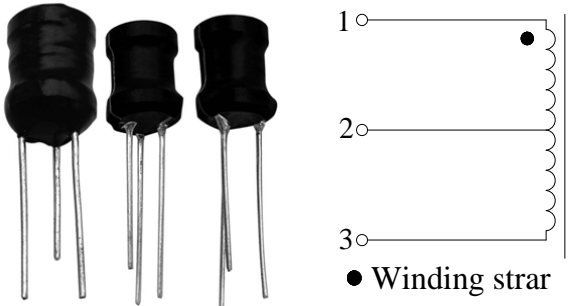




3 Pins Fixed Inductors

PDL3P Series

Product photos& SCHEMATIC:



Product Identification:

PDL3P-0810-124M-U

1 2 3 4 5

- 1.Type : Peaking coils shape with 3 pin.
- 2.Style : Core size OD=8, L=10mm
- 3.Inductance:L=120mH,Trun ratio=320T:1600T.
- 4.Tolerance:M=± 20%.
- 5.Appearance: 0 = no UL Tube 1 = UL Tube.

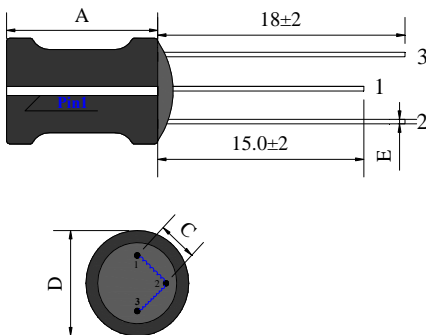
Applications:

- 1.Alarm system.
- 2.Other oscillation circuits.

Features:

- 1.Inductor for buzzers & alarm system.
- 2.Low cost.
- 3.Covered with UL tube.

Dimensions:(mm)



Part.No	A (Max)	D (Max)	C	∅ E
PDL3P0608-823M	11.0	8.0	3.0±0.1	0.65
PDL3P0810-124M	13.0	10.0	4.0±0.1	0.65
PDL3P0912-184M	15.0	11.5	5.0±0.1	0.65
PDL3P1012-174M	16.0	12.0	6.0±0.1	0.8
PDL3P1016-154M	20.0	12.0	6.0±0.1	0.8

Electrical Characteristics:

Part No.	Trun ratio	L:mH(1_3) 1KHZ/0.25V	Tolerance	DCR(1_3) Ω MAX	Rated Current (mA) Max
PDL3P0608-823M	300T:1500T	82	±20%	380	
PDL3P0810-124M	320T:1600T	120	±20%	240	
PDL3P0912-184M	200T:2000T	180	±20%	420	
PDL3P1012-174M	192T:1920T	170	±20%	220	140
PDL3P1016-154M	310T:1650T	150	±20%	174	160

Characteristics :

- 1.Rated DC Current: The current when temperature of coil increases up to Max. $\Delta T=20^{\circ}C$. ($T_a=20^{\circ}C$)
- 2.Suggested frequency: 1KHz to 500KHz
- 3.Operating temperature:-20 $^{\circ}C$ to 80 $^{\circ}C$
- 4.L: tested by LCR meter @ 1KHz/0.25V.